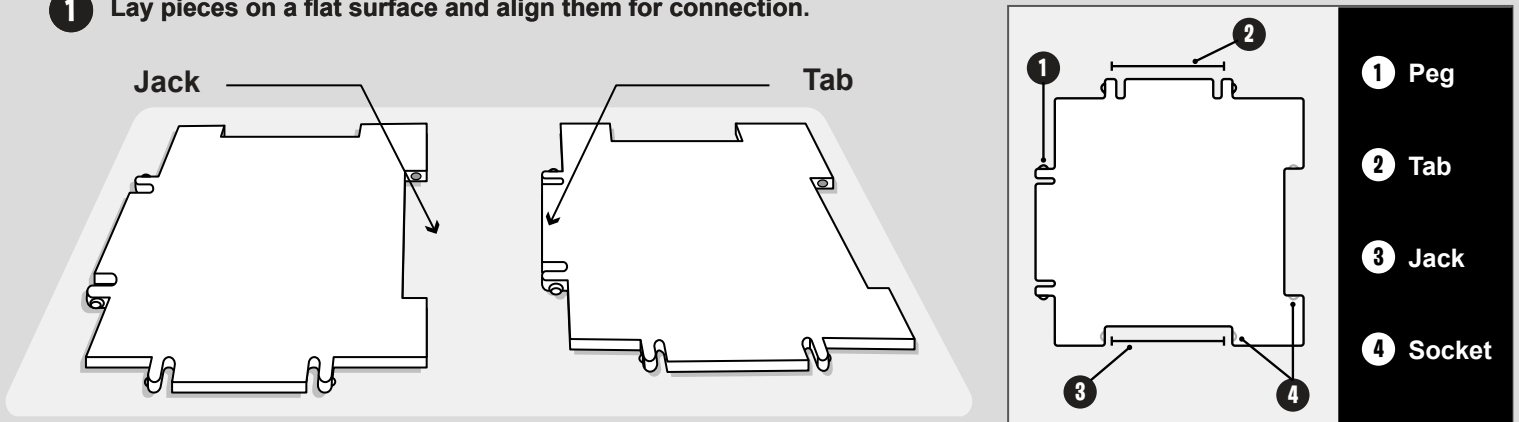


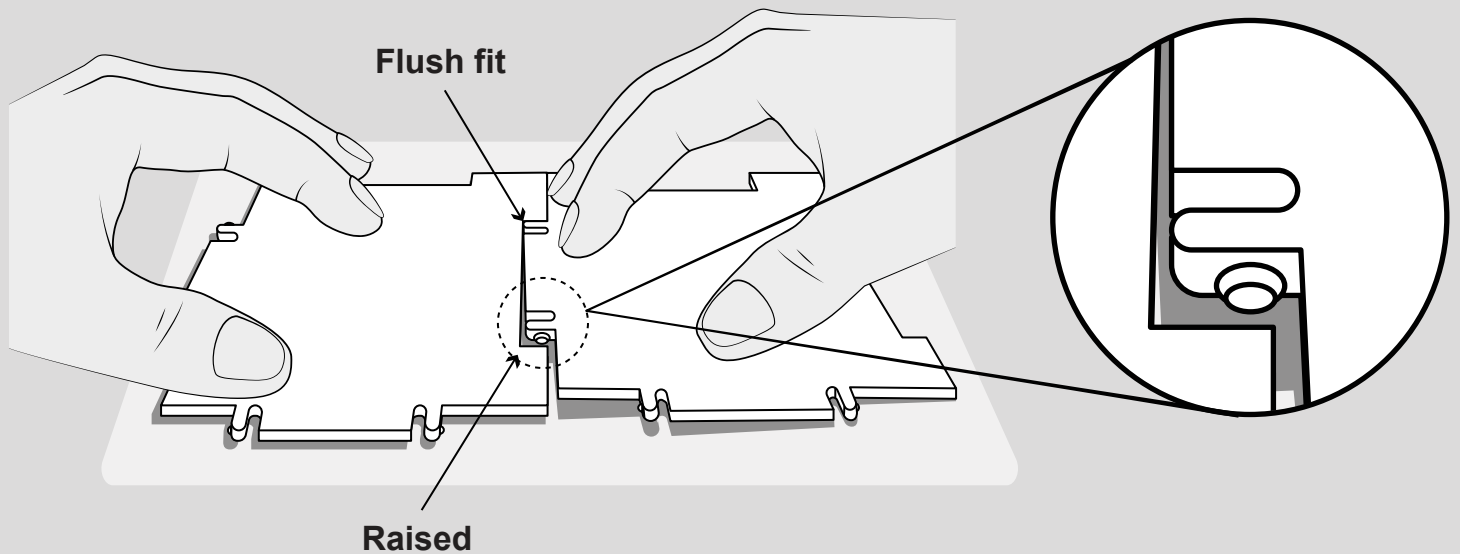
FORTNITE

Building Tips & Tricks

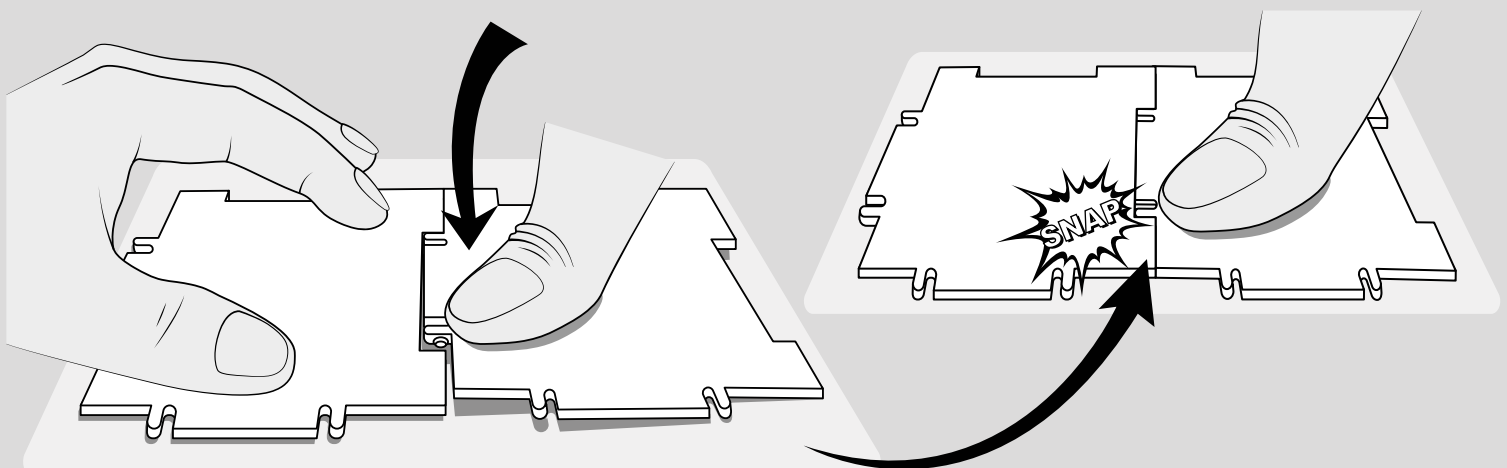
- 1** Lay pieces on a flat surface and align them for connection.



- 2** Place the pieces so that one peg sits inside the corresponding socket. The other side will be slightly raised.



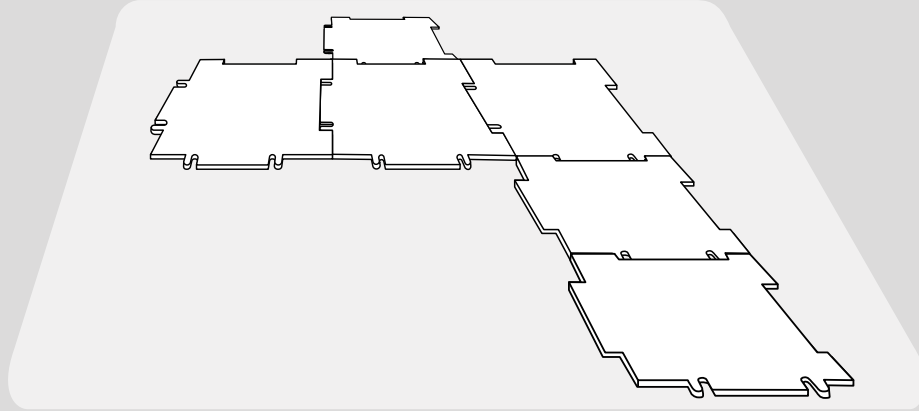
- 3** Place your thumb on the raised side of the tab and firmly apply pressure to snap into place.



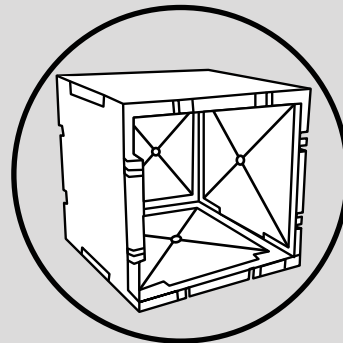
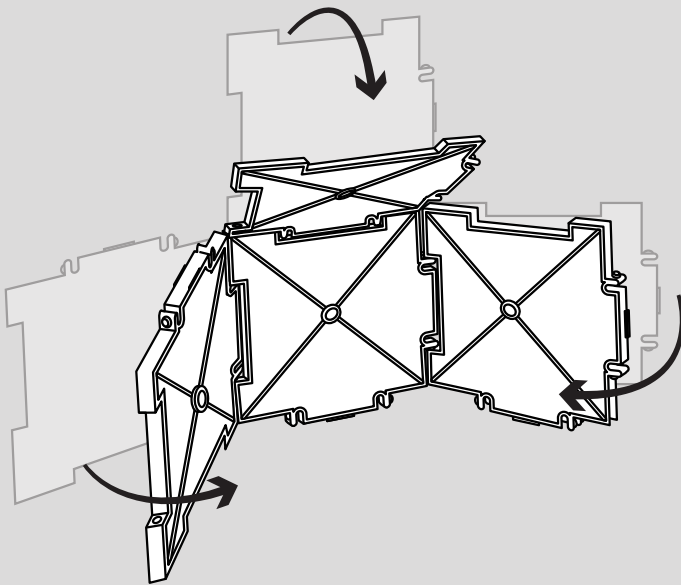
FORTNITE

Building Tips & Tricks

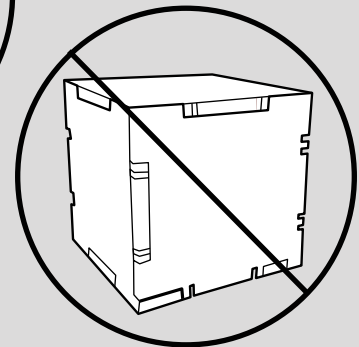
4 Repeat steps 1-3 to create different configurations.



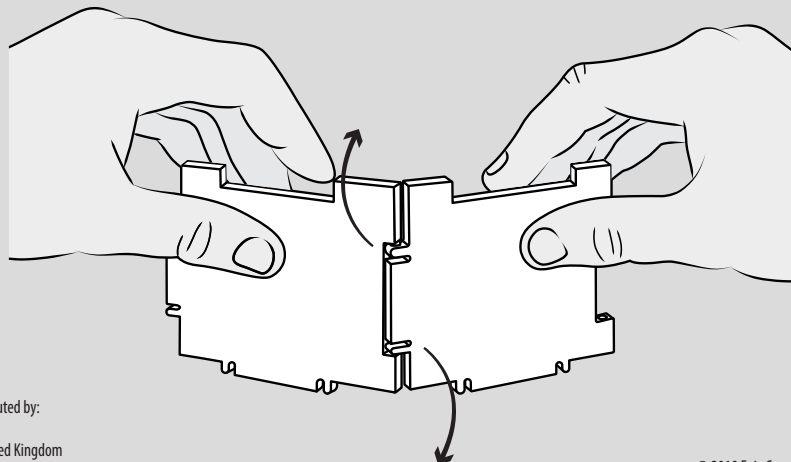
5 Hinge at connection points to create 3D structures.



TIP: Always keep at least one side open on all 3D structures to ensure pieces can be removed.



6 To disassemble, hold pieces and twist gently to release. To prevent broken nails or minor injury do not use fingernails to pull pieces apart.



Used with permission. Manufactured and Distributed by:
Jazwares, LLC. Sunrise, FL, 33326, USA
Jazwares, 16A Crane Grove, London, N7 8LE, United Kingdom
Jazwares GmbH, Mina-Rees-Str. 8, 64295 Darmstadt, Germany
www.jazwares.com / www.jazwares.de

© 2019 Epic Games, Inc. Fortnite and its logo are registered trademarks of Epic Games, Inc. in the USA (Reg. U.S. Pat. & Tm. Off.) and elsewhere. All rights reserved.